









WAGO Accessories and WAGO Tools

WAGO Accessories and WAGO Tools

	Page
	WAGOSTA® MINI; 890 Series Accessories 374
	WAGOSTA® MIDI; 770 Series Accessories 379
	WAGOSTA® Boxes; 899 Series Accessories 393
	WAGOSTA® IDC; 772, 895 and 897 Series Accessories 394
	Tools
	Operating Tools 400
	Wire strippers 402
	Stripping Pliers, Cable Cutters, Stripping Knives 403
	Cable cutters 404
	Marking
	Markers 405
	Self-Adhesive Marking Strips 405

Accessories ▶ WINSTA® MINI ▶ 890, 891 Series



Locking lever; for flying leads; manually operated

Color	Item No.	PU (SPU)
black	890-101	100(50)
white	890-121	100(50)



Mounting carrier; 2- to 5-pole; for flying leads

Color	Item No.	PU
black	890-310	100
white	890-311	100



Lockout cap; for cutout; 2-pole

Color	Item No.	PU
black	890-642	100
white	890-692	100



Lockout cap; for cutout; 3-pole

Color	Item No.	PU
black	890-643	100
white	890-693	100

Locking lever; for flying leads; tool operated

Color	Item No.	PU (SPU)
black	890-111	100(50)
white	890-131	100(50)

Lockout cap; for cutout; 4-pole

Color	Item No.	PU
black	890-644	100
white	890-694	100

Lockout cap; for cutout; 5-pole

Color	Item No.	PU
black	770-643	100
white	770-693	100

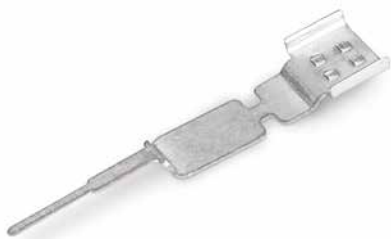


All connectors for mounted installations (snap-in versions, pluggable PCB connectors, distribution connectors) are factory-equipped with locking levers to ensure plugs and sockets are securely locked. Additional locking levers are only required for "flying leads" (plug/socket).

Locking connector via integrated lever.
Locking second connector for a secure connection.

Seal unused cutout with lockout cap.

Accessories ▶ WINSTA® MINI ▶ 890 Series



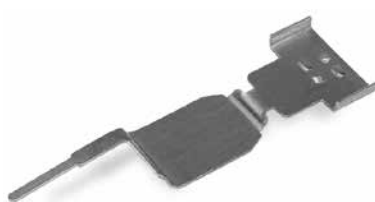
Shield connecting plate; for 3-pole plugs and sockets		
Item No.	PU	
890-523	50	



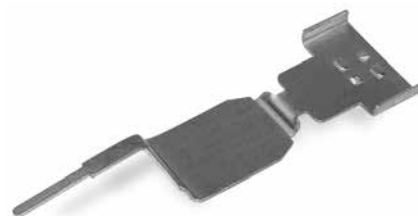
Shield connecting plate; for socket; 4-pole		
Item No.	PU	
890-524	50	



Shield connecting plate; for socket; 5-pole		
Item No.	PU	
890-526	50	



Shield connecting plate; for plug; 4-pole		
Item No.	PU	
890-525	50	



Shield connecting plate; for plug; 5-pole		
Item No.	PU	
890-527	50	



Connector with shield termination

Accessories ▶ WINSTA® MINI ▶ 890 / 891 Series



Mounting plate for distribution connector; 2-pole

Color	Item No.	PU
black	890-1622	100
white	890-1672	100



Mounting pin; for mounting plates;
5 mm Ø; 0.2 ... 1.2 mm plate thickness

Color	Item No.	PU
black	890-601	250



Protective cap; type 1;
for 890 series: 2- and 3-pole
for 891 series: 2- and 3-pole

Color	Item No.	PU
red	897-2001	25

Mounting plate; for distribution connector; 3-pole

Color	Item No.	PU
black	890-623	100
white	890-673	100

Mounting plate; for distribution connector; 4-pole

Color	Item No.	PU
black	890-624	50
white	890-674	50

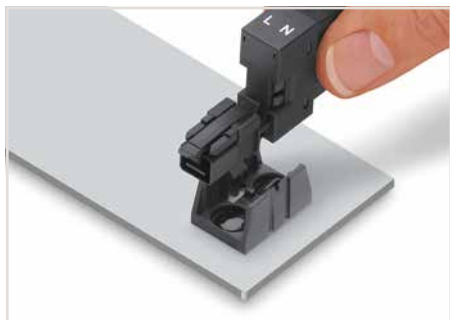
Mounting plate; for distribution connector; 5-pole

Color	Item No.	PU
black	890-625	50
white	890-675	50



Protective cap; type 2;
for 890 series: 4- and 5-pole
for 891 series: 4- and 5-pole

Color	Item No.	PU
red	897-2003	25



The distribution connectors snap together when attached to the mounting plate.



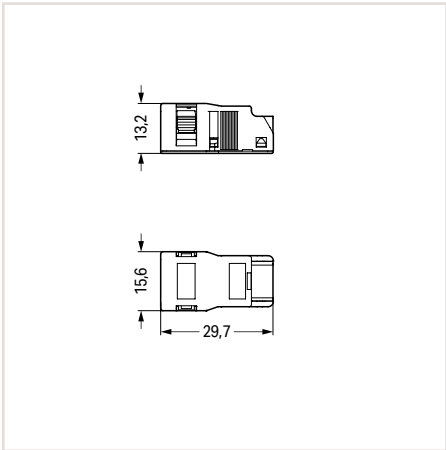
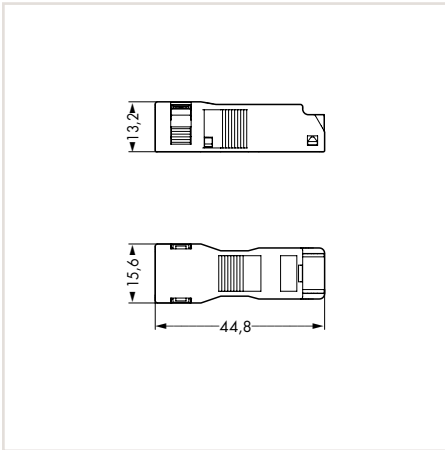
Secure the mounting plate via pins.

Accessories ▶ WINSTA® MINI ▶ 890 Series



Strain relief housing; for 3.8 ... 8.2 mm cable diameter; 32 mm strip length		
Color	Item No.	PU
black	890-502	50
white	890-512	50

Strain relief housing; short; for 3.8 ... 8.2 mm cable diameter; 17.5 mm strip length		
Color	Item No.	PU
black	890-502/342-000	50
white	890-512/342-000	50



PU = Packaging Unit; SPU = Subpackaging Unit; Dimensions in mm

Accessories ▶ WINSTA® MINI ▶ 890 Series



Strain relief housing; for 4.5 ... 10 mm cable diameter; 40 mm strip length

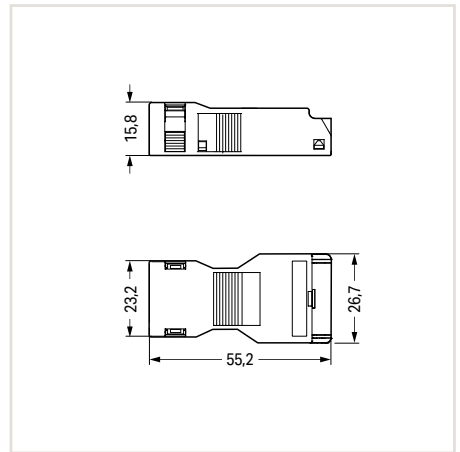
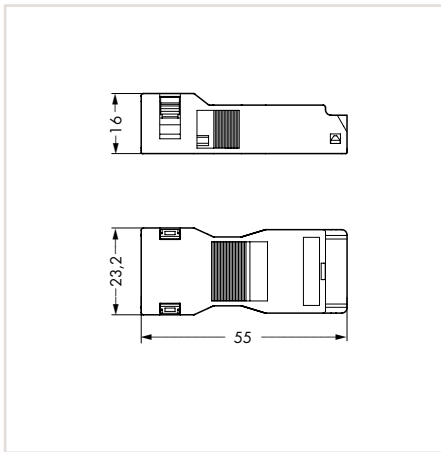
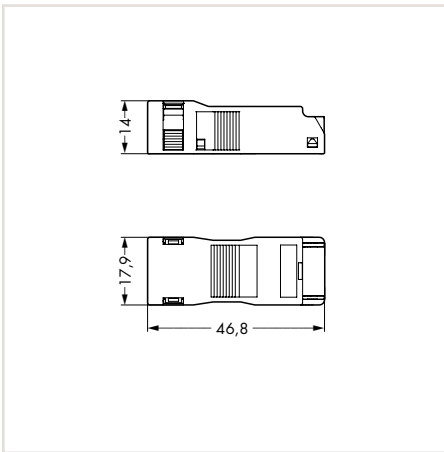
Color	Item No.	PU
black	890-503	50
white	890-513	50

Strain relief housing; for 6.5 ... 10.5 mm cable diameter; 45 mm strip length

Color	Item No.	PU
black	890-504	50
white	890-514	50

Strain relief housing; for 6.5 ... 10.5 mm cable diameter; 45 mm strip length

Color	Item No.	PU
black	890-505	50
white	890-515	50



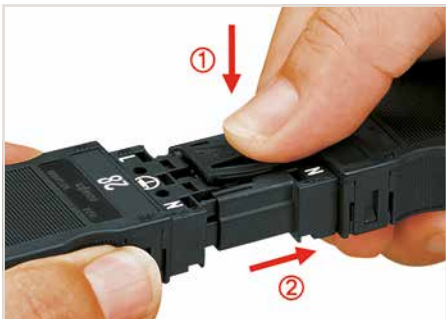
Accessories ▶ WINSTA® MIDI ▶ 770, 771 Series



Locking lever; for flying leads; manually operated		
Color	Item No.	PU (SPU)
black	770-101	100(25)
white	770-121	100(25)

Locking lever; oversized; tool operated		
Color	Item No.	PU (SPU)
gray	770-140	100(25)

Coding pin; for plug (A- and B-coding)		
Color	Item No.	PU
gray	770-401	100



Locking lever, manually operated:

- Push on locking lever
- Pull the connectors apart



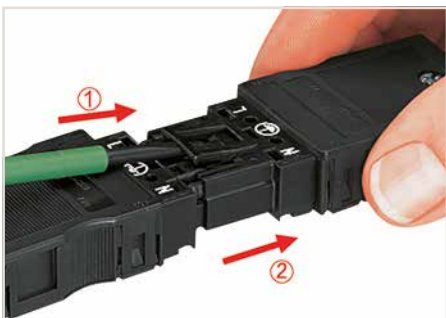
Snap-in connector with protruding locking lever



Insert coding pin into the plug.



Locking lever; for flying leads; tool operated		
Color	Item No.	PU (SPU)
black	770-111	100(25)
white	770-131	100(25)



Locking lever, tool operated:

- Unlatch locking lever
- Pull the connectors apart

PU = Packaging Unit; SPU = Subpackaging Unit; Dimensions in mm

Accessories ▶ WINSTA® MIDI ▶ 770, 771 Series



Mounting carrier; 2- to 5-pole; for flying leads		
Color	Item No.	PU
black	770-310	100



Lockout cap; for socket; separable; 12-pole		
Color	Item No.	PU
black	770-201	100
white	770-221	100



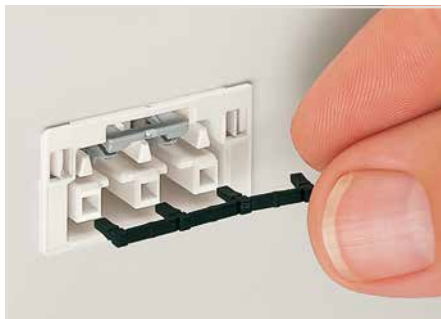
Lockout cap; for cutout; 3-pole		
Color	Item No.	PU
black	770-643	100
white	770-693	100



Lockout cap; for cutout; 4-pole		
Color	Item No.	PU
black	770-644	100
white	770-694	100

Lockout cap; for cutout; 5-pole		
Color	Item No.	PU
black	770-645	100
white	770-695	100

Lockout cap; for plug; separable; 5-pole		
Color	Item No.	PU
gelb	770-360	100



Seal an unmated socket by simply inserting a lockout cap. This prevents the smallest particles from entering the socket.



Seal unused cutout with lockout cap.

Accessories ▶ WINSTA® MIDI ▶ 770 Series



Protective cap; type 2; for 770 series: 2-pole for 771 series: 2- and 3-pole		
Color	Item No.	PU
red	897-2003	25



Mounting plate for distribution connector; 2-pole		
Color	Item No.	PU
black	770-1626	25
white	770-1627	25



Mounting pin; for mounting plates; 6 mm Ø; 1 ... 2.5 mm plate thickness		
Color	Item No.	PU
black	770-601	250

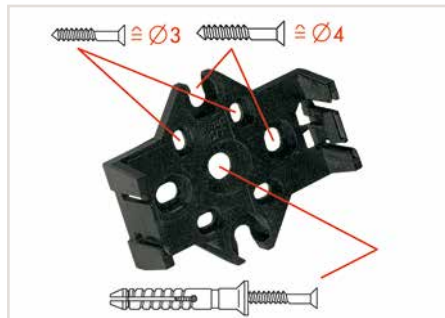


Protective cap; type 4; for 770 series: 4- and 5-pole for 771 series: 5-pole		
Color	Item No.	PU
red	897-2005	25

Mounting plate; for distribution connector; 3-pole		
Color	Item No.	PU
black	770-623	25
white	770-673	25

Mounting plate; for distribution connector; 4-pole		
Color	Item No.	PU
black	770-624	25
white	770-674	25

Mounting plate; for distribution connector; 5-pole		
Color	Item No.	PU
black	770-625	25
white	770-675	25



Mounting plates can be secured using commercially available screws or nail-drive anchors.



The mounting plate can be centrally mounted, or attached via outboard attachment points using 770-601 Mounting Pins.

Accessories ▶ WINSTA® MIDI ▶ 770 Series

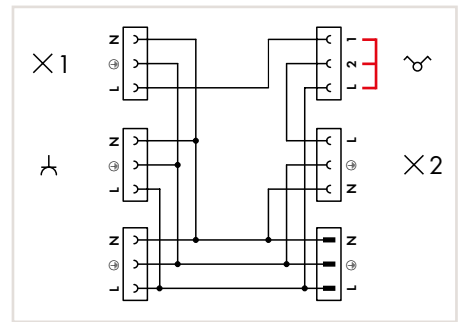
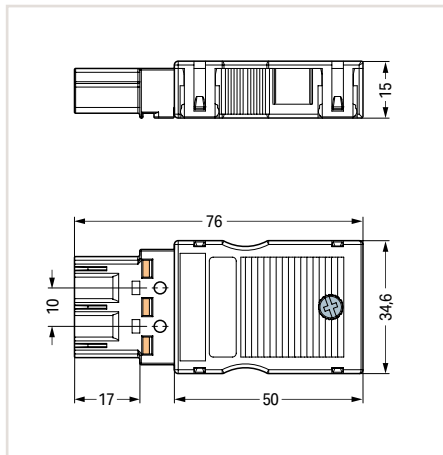
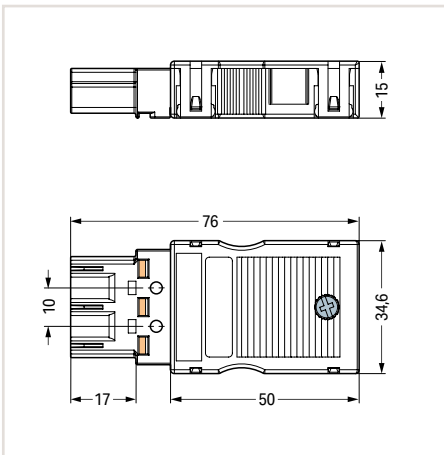


Shorting plug; S-coding; brown plug with assembled strain relief housing and bridge

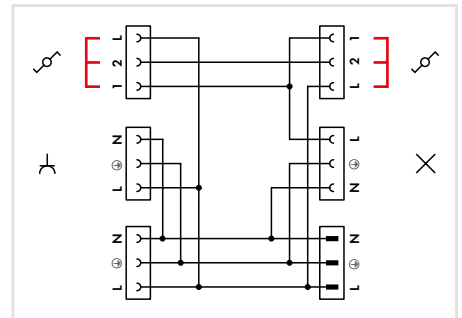
Color/Marking	Item No.	PU
	770-1373/146-000	50
	770-1373/147-000	50
	770-1373/148-000	50
	770-1373/149-000	50

Shorting plug; A-coding; black plug with assembled strain relief housing and bridge

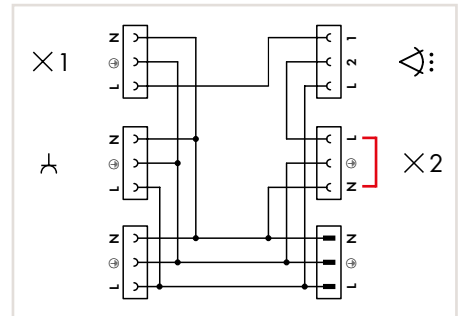
Color/Marking	Item No.	PU
	770-113/147-000	50



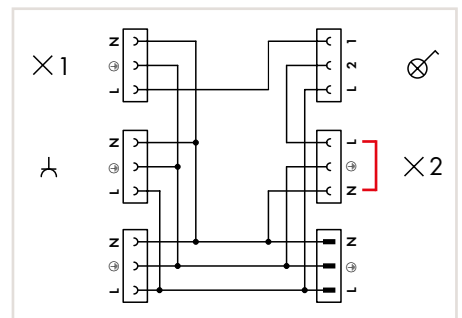
Internal circuit of 770-637 Distribution Connector with possible insertion position of 770-1373/14x-000 Shorting Plug.



Internal circuit of 770-638 Distribution Connector with possible insertion positions of 770-1373/14x-000 Shorting Plug.



Internal circuit of 770-637 Distribution Connector with insertion position of 770-113/147-000 Shorting Plug for connecting a motion sensor.



Internal circuit of 770-637 Distribution Connector with insertion position of 770-113/147-000 Shorting Plug for connecting a switch with control lamp.

Accessories ▶ WINSTA® MIDI ▶ 770 Series



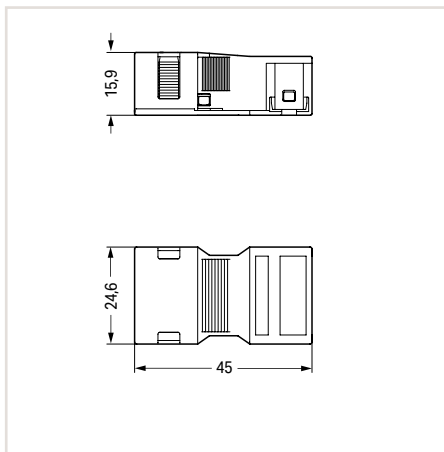
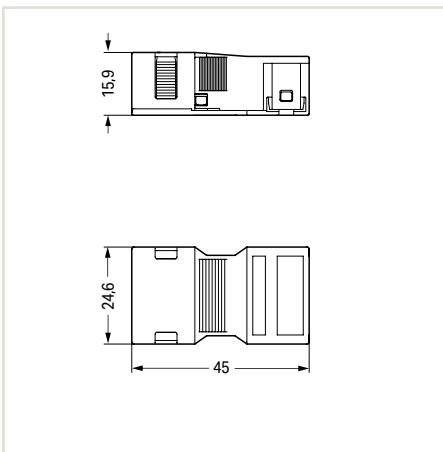
Shield connecting plate; for 3-pole plugs and sockets		
Item No.	PU	
770-523	25	

Strain relief housing; for one cable; 5 ... 9 mm cable diameter; 35 mm strip length		
Color	Item No.	PU
black	770-502/042-000	50
white	770-512/042-000	50

Strain relief housing; for one cable; 7 ... 10.5 mm cable diameter; 35 mm strip length		
Color	Item No.	PU
black	770-502/041-000	50
white	770-512/041-000	50



Connector with shield termination



Accessories ▶ WINSTA® MIDI ▶ 770 Series 3-Pole



Strain relief housing; for two cables;
for 4.5 ... 8 mm cable diameter; 55 mm strip length

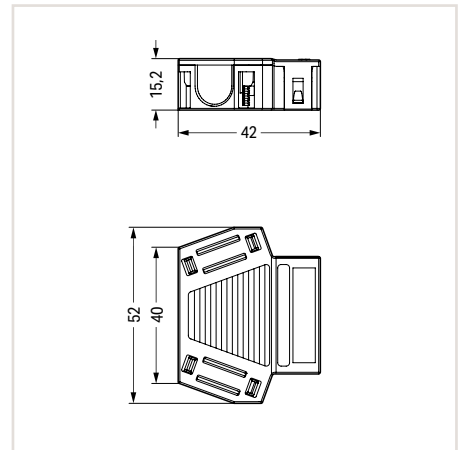
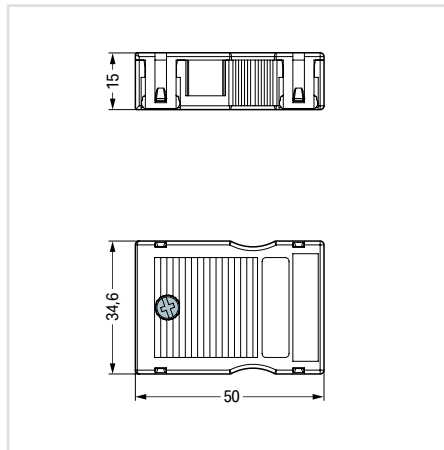
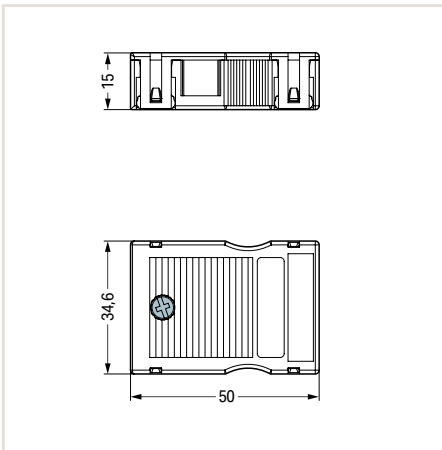
Color	Item No.	PU
black	770-503/023-000	50
white	770-513/023-000	50

Strain relief housing; for two cables;
for 8 ... 11.5 mm cable diameter; 55 mm strip length

Color	Item No.	PU
black	770-503	50
white	770-513	50

Strain relief housing; angled; for two cables;
for 8 ... 11.5 mm cable diameter; 55 mm strip length

Color	Item No.	PU
black	770-503/032-000	25
white	770-513/032-000	25



Accessories ▶ WINSTA® MIDI ▶ 770 Series 3-Pole



Strain relief housing; for 4 mm² cables; for 1 cable;
9 ... 13 mm cable diameter; 71 mm strip length

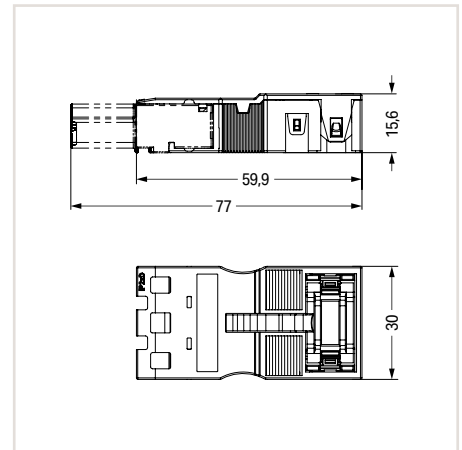
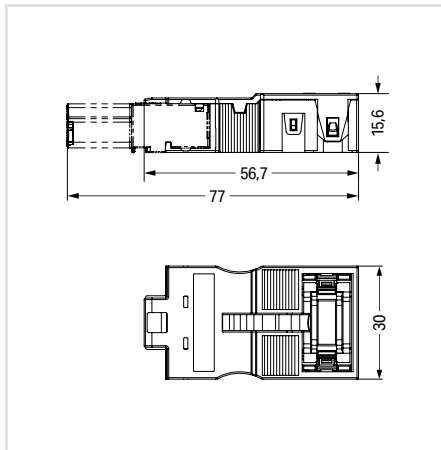
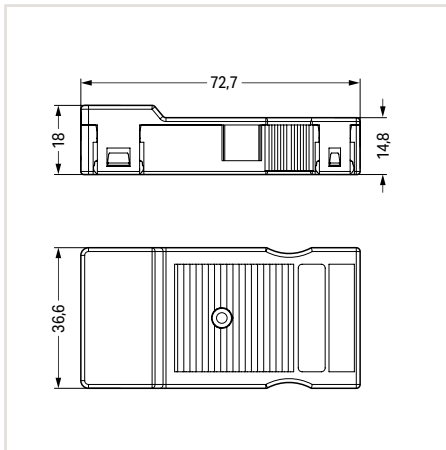
Color	Item No.	PU
black	770-503/021-000	50
white	770-513/021-000	50

Strain relief housing; for quick assembly; for one cable;
7 ... 11.5 mm cable diameter; 48 mm strip length

Color	Item No.	PU
black	770-503/035-000	50
white	770-513/035-000	50

Strain relief housing; IP 2xD; for one cable;
7 ... 11.5 mm cable diameter; 48 mm strip length

Color	Item No.	PU
black	770-503/038-000	50
white	770-513/038-000	50



PU = Packaging Unit; SPU = Subpackaging Unit; Dimensions in mm

Accessories ▶ WINSTA® MIDI ▶ 770 Series 4-Pole

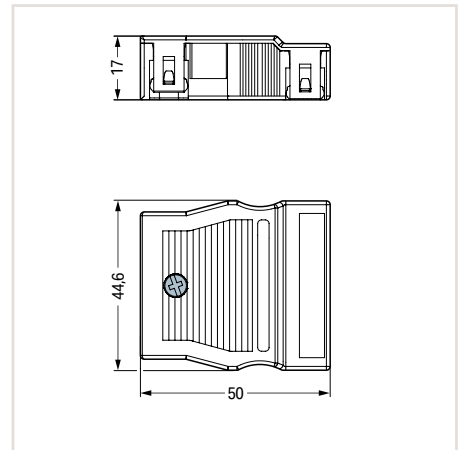
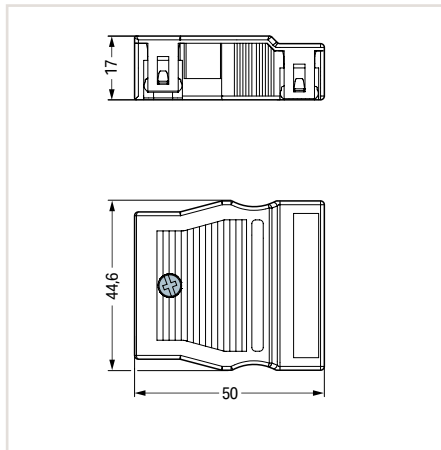


Strain relief housing; for two cables; for 5 ... 9 mm cable diameter; 55 mm strip length

Color	Item No.	PU
black	770-504/023-000	50
white	770-514/023-000	50

Strain relief housing; for two cables; for 9 ... 13 mm cable diameter; 55 mm strip length

Color	Item No.	PU
black	770-504	50
white	770-514	50



Accessories ▶ WINSTA® MIDI ▶ 770 Series 5-Pole



Strain relief housing; for two cables; for 5 ... 9 mm cable diameter; 55 mm strip length

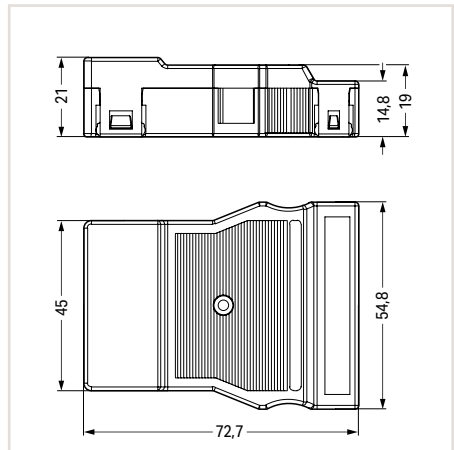
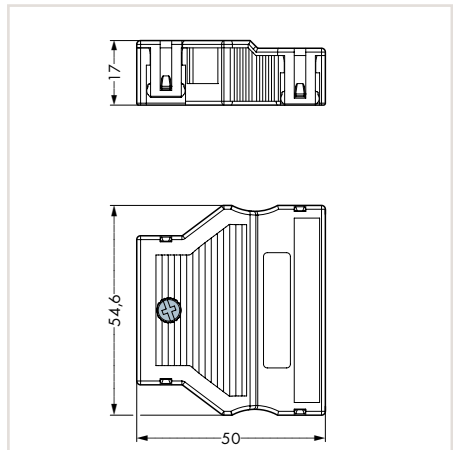
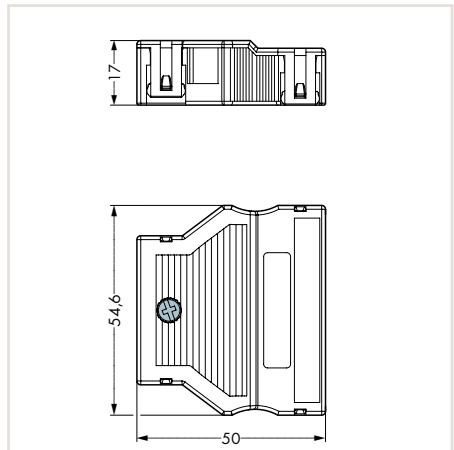
Color	Item No.	PU
black	770-505/023-000	25
white	770-515/023-000	25

Strain relief housing; for two cables; for 9 ... 13 mm cable diameter; 55 mm strip length

Color	Item No.	PU
black	770-505	25
white	770-515	25

Strain relief housing; for one cable; 11.5 ... 16.5 mm cable diameter; 71 mm strip length

Color	Item No.	PU
black	770-505/021-000	25
white	770-515/021-000	25



PU = Packaging Unit; SPU = Subpackaging Unit; Dimensions in mm

Accessories ▶ WINSTA® MIDI ▶ 770 Series 6-Pole



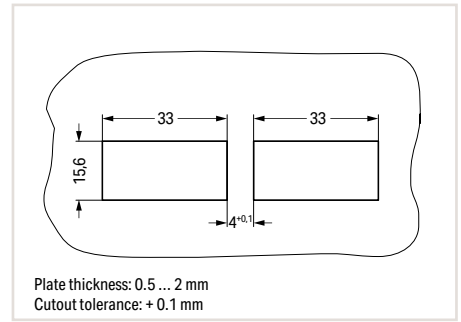
Snap-on type strain relief housings for:

- two 3-pole sockets
- two 3-pole plugs
- 3-pole socket and plug

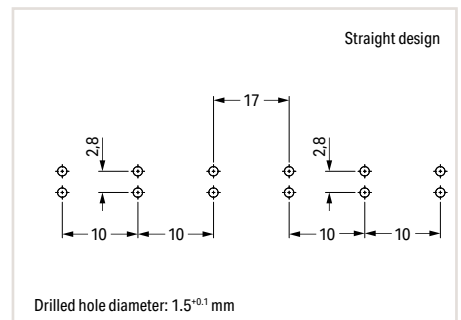
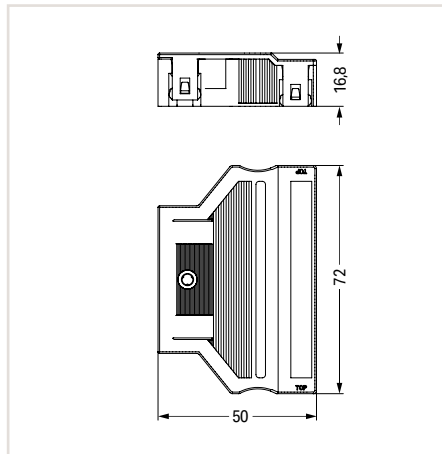


Strain relief housing; for two cables;
for 8.5 ... 13.5 mm cable diameter; 55 mm strip length

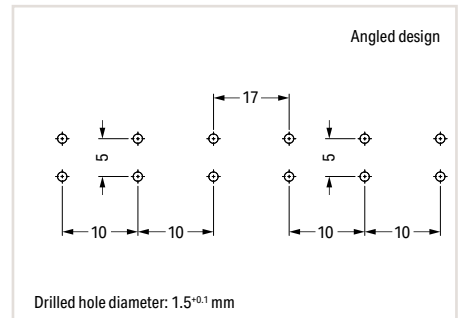
Color	Item No.	PU
black	770-506/029-000	20
white	770-516/029-000	20



Using a 6-pole strain relief housing with snap-in connectors requires the cutout dimensions shown above.



Using a straight, 6-pole PCB connector requires the hole patterns shown above.



Using an angled, 6-pole PCB connector requires the hole patterns shown above.

Accessories ▶ WINSTA® MIDI ▶ 770 Series 7-Pole



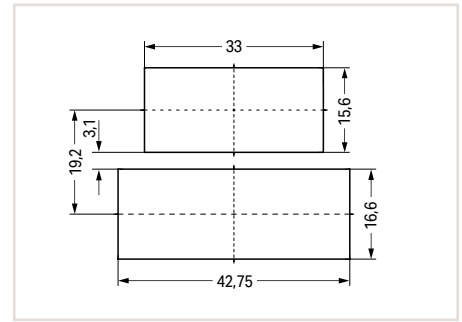
Snap-on type strain relief housings for:

- 3-pole socket or plug
- 4-pole socket or plug



Strain relief housing; for one cable; 8 ... 15 mm cable diameter; 55 mm strip length

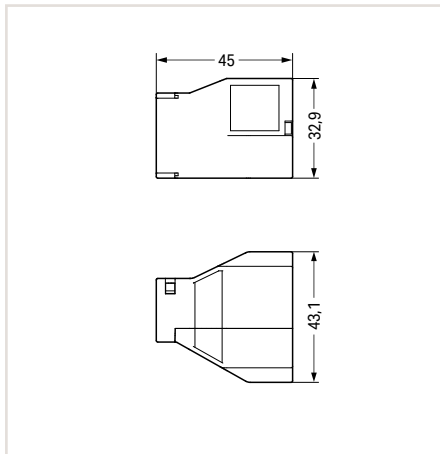
Color	Item No.	PU
black	770-507/047-000	200
white	770-517/047-000	200



Using a 7-pole strain relief housing with snap-in connectors requires the cutout dimensions shown above.

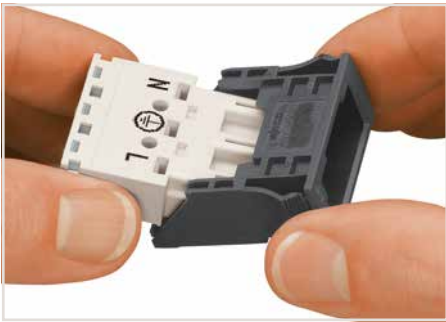


Flying leads
(NOTICE: Only use locking levers on upper position)



Flying leads

Accessories ▶ WINSTA® MIDI ▶ 770 Series



Insert the socket or plug into the frame (observe the "TOP" marking on the frame!), then snap the assembled unit into the cutout (example shows a 3-pole connector).

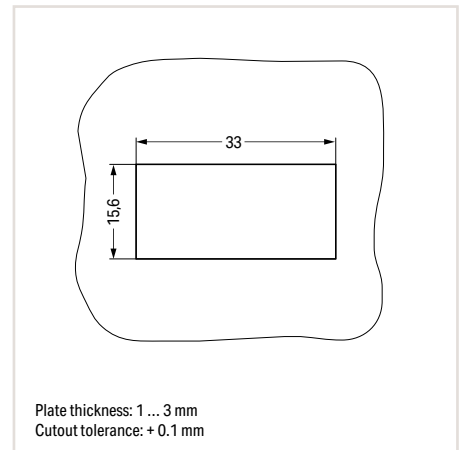
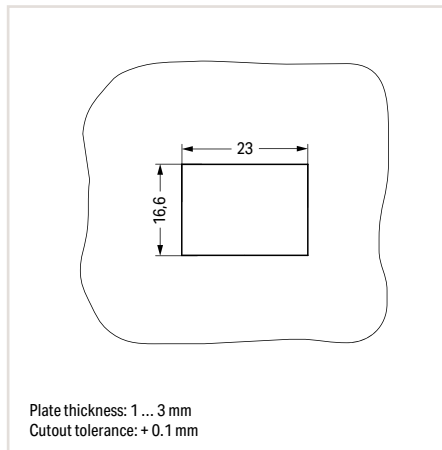
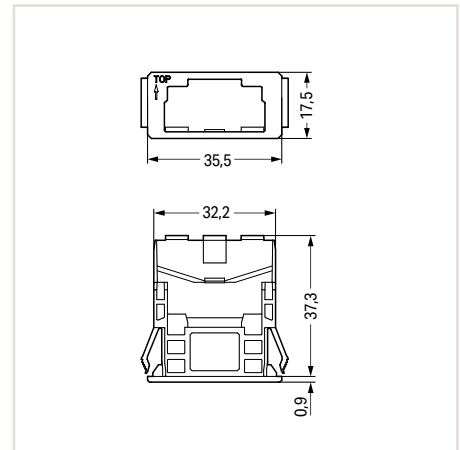
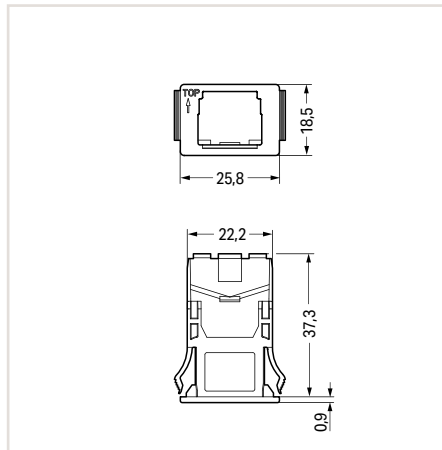


Snap-in frame; for 2-pole sockets and plugs;
for 1 ... 3 mm plate thickness

Color	Item No.	PU
black	770-317	100
white	770-337	100

Snap-in frame; for 3-pole sockets and plugs;
for 1 ... 3 mm plate thickness

Color	Item No.	PU
black	770-318	100
white	770-338	100



Accessories ▶ WINSTA® MIDI ▶ 770 Series



Snap-in frame; for 4-pole sockets and plugs;
for 1 ... 3 mm plate thickness

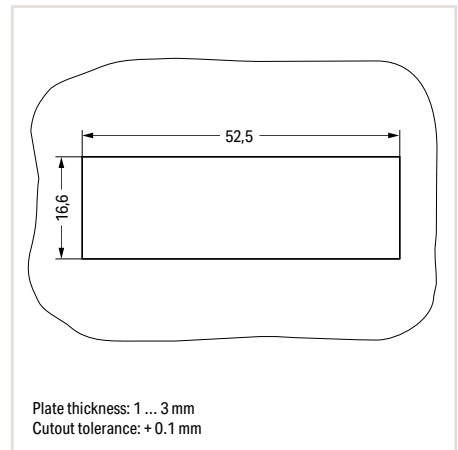
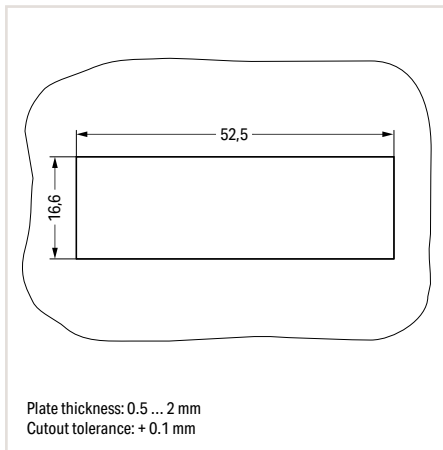
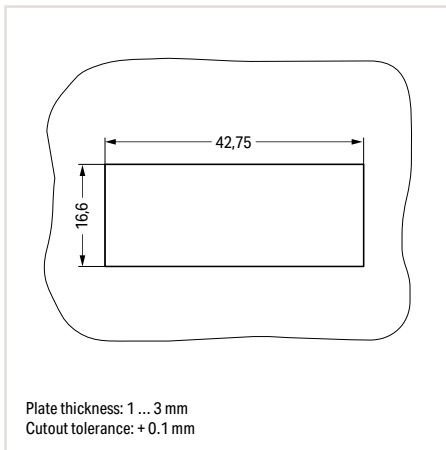
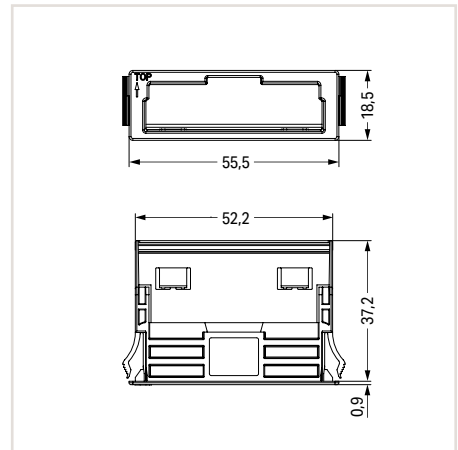
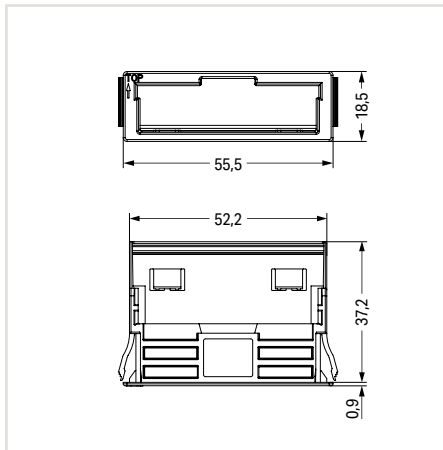
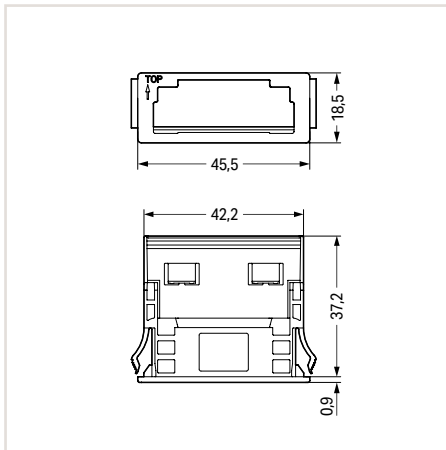
Color	Item No.	PU
black	770-319	100
white	770-339	100

Snap-in frame; for 5-pole sockets and plugs;
for 0.5 ... 2 mm plate thickness

Color	Item No.	PU
black	770-321	100
white	770-341	100

Snap-in frame; for 5-pole sockets and plugs;
for 1 ... 3 mm plate thickness; for A-coding/B/I/P/Q

Color	Item No.	PU
black	770-320	100
white	770-340	100



PU = Packaging Unit; SPU = Subpackaging Unit; Dimensions in mm

Accessories ▶ WINSTA® RD ▶ 774 Series

Protective cap; type 1;
for 774 series: 3- and 4-pole

Color	Item No.	PU
red	897-2001	25

Accessories ▶ WINSTA® Boxes ▶ 899 Series



Adapter for distribution boxes; for WINSTA® MINI connectors; 2-pole		
Color	Item No.	PU
gray	890-302	50



Mounting pin for distribution boxes; for WINSTA® MIDI connectors		
Color	Item No.	PU
gray	770-630	100



Mounting plate; for distribution boxes		
	Item No.	PU
	770-680	25

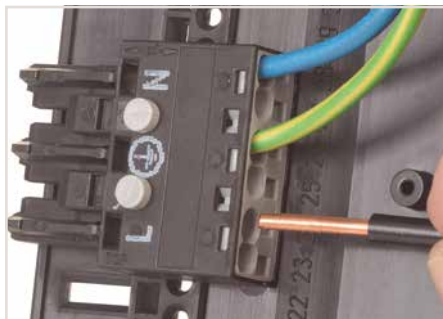
Adapter for distribution boxes; for WINSTA® MINI connectors; 3-pole		
Color	Item No.	PU
gray	890-303	50

Adapter for distribution boxes; for WINSTA® MINI connectors; 4-pole		
Color	Item No.	PU
gray	890-304	50

Adapter for distribution boxes; for WINSTA® MINI connectors; 5-pole		
Color	Item No.	PU
gray	890-305	50



Using adapters to install WINSTA® MINI connectors in a distribution box.



Using mounting pins to secure WINSTA® MIDI connectors in a distribution box.



Wall-mounted WINSTA® Distribution Box

Accessories ▶ WINSTA® IDC ▶ 772 Series



Mounting plate; for supply and tap-off modules

Color	Item No.	PU
black	772-260	10



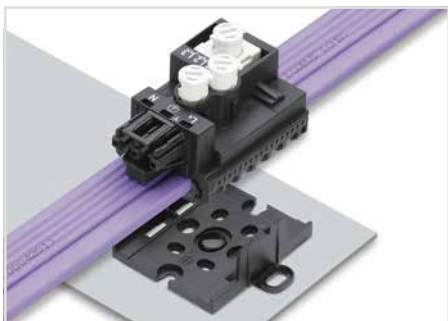
Mounting pin; for mounting plates; 6 mm Ø; 1 ... 2.5 mm plate thickness

Color	Item No.	PU
black	770-601	250



Lockout cap; for socket; separable; 12-pole

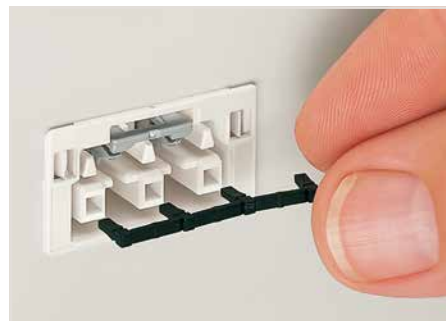
Color	Item No.	PU
black	770-201	100
white	770-221	100



Snapping a supply or tap-off module onto a mounting plate.



The mounting plate can be centrally mounted, or attached via outboard attachment points using 770-601 Mounting Pins.



Seal an unmated socket by simply inserting a lockout cap. This prevents the smallest particles from entering the socket.

Accessories ▶ WINSTA® IDC ▶ 895 Series



Cable fitting; M 40 x 1.5; clamping range: 20 ... 26 mm Ø; with O-ring gasket; plastic

Color	Item No.	PU
black	895-1601	5



Cable fitting; M 25 x 1.5; clamping range: 20 ... 26 mm Ø; with O-ring gasket; brass

Color	Item No.	PU
brass	895-1604	5



Filler plug; M 25 x 1.5; with O-ring gasket; plastic

Color	Item No.	PU
black	895-1605	5

Cable fitting; M 25 x 1.5; clamping range: 9 ... 16 mm Ø; with O-ring gasket; plastic

Color	Item No.	PU
gray	895-1602	5

Cable fitting; M 25 x 1.5; clamping range: 13 ... 18 mm Ø; with O-ring gasket; plastic

Color	Item No.	PU
gray	895-1603	5



Tap-off module with brass cable fitting

Accessories ▶ WINSTA® IDC ▶ 897 Series



Mounting clamp; for screw mounting; for 2 x 1.5 mm², 5 x 2.5 mm², 5 x 4 mm² and 5 x 2.5 mm² + 2 x 1.5 mm² flat cables

Color	Item No.	PU
gray	897-878	100

Mounting clamp; for screw mounting; for 3 x 2.5 mm² flat cables

Color	Item No.	PU (SPU)
dark gray	897-839	200(25)

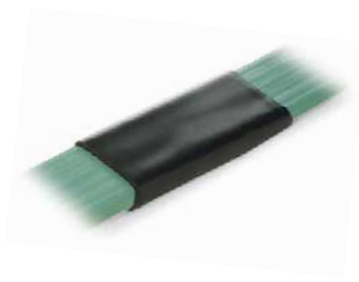
Mounting clamp; for screw mounting; for 5 x 10 mm² flat cables

Color	Item No.	PU
dark gray	897-859	100

Accessories ▶ WINSTA® IDC ▶ 897 Series



Flat cable end cover; for 2 x 1.5 mm² flat cables; plastic		
Color	Item No.	PU
transparent	897-120	10



Insulating tape; for 2 x 1.5 mm² to 5 x 10 mm² flat cables		
Color	Item No.	PU
black	897-900	10



Flat cable; 2 x 1.5 mm²; PVC		
Color	Item No.	PU
light gray	897-121	1

Flat cable end cover; for 3 x 2.5 mm² flat cables; plastic		
Color	Item No.	PU
transparent	897-230	25

Insulating tape; for 5 x 16 mm² flat cables		
Color	Item No.	PU
black	897-901	10

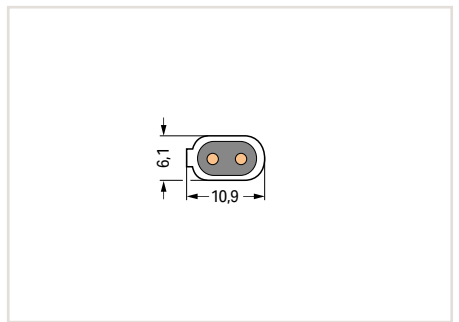
Flat cable; 2 x 1.5 mm²; halogen-free		
Color	Item No.	PU
light gray	897-122	1

Flat cable end cover; for 5 x 2.5 mm² and 5 x 4 mm² flat cables; plastic		
Color	Item No.	PU
transparent	897-250	25

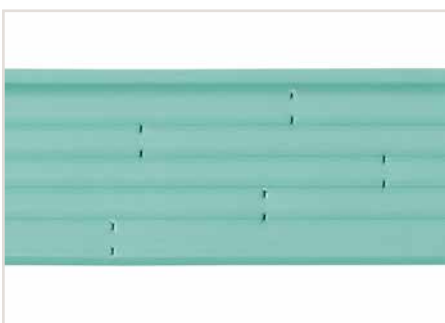
Flat cable end cover; for 5 x 2.5 mm² and 2 x 1.5 mm² flat cables; plastic		
Color	Item No.	PU
transparent	897-260	25

Flat cable end cover; for 5 x 10 mm² flat cables; plastic		
Color	Item No.	PU
transparent	897-1050	10

Flat cable end cover; for 5 x 16 mm² flat cables; plastic		
Color	Item No.	PU
transparent	897-1650	4



Fit end cover to each flat cable end.



Use insulating tape to seal the contact holes in the flat cable after removing a module.

PU = Packaging Unit; SPU = Subpackaging Unit; Dimensions in mm

Accessories ▶ WINSTA® IDC ▶ 897 Series



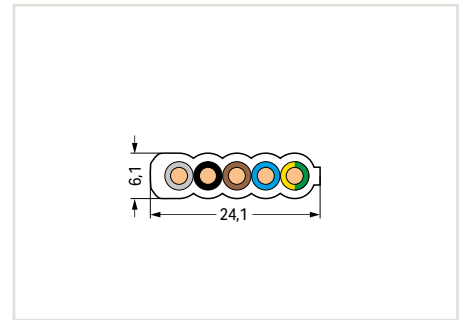
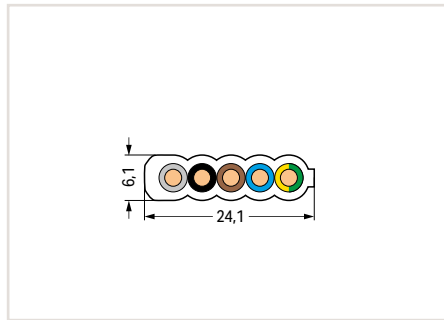
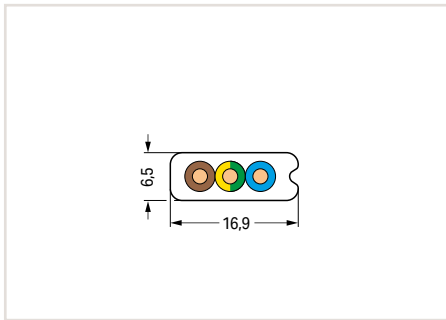
Flat cable; 3 x 2.5 mm ² ; PVC		
Color	Item No.	PU
light gray	897-231	1

Flat cable; 5 x 2.5 mm ² ; PVC		
Color	Item No.	PU
light green	897-251	1

Flat cable; 5 x 4 mm ² ; halogen-free		
Color	Item No.	PU
black	897-453	1

Flat cable; 3 x 2.5 mm ² ; halogen-free		
Color	Item No.	PU
light gray	897-232	1

Flat cable; 5 x 2.5 mm ² ; halogen-free		
Color	Item No.	PU
light green	897-252	1



Accessories ▶ WINSTA® IDC ▶ 897 Series



Flat cable; 5 x 2.5 mm ² + 2 x 1.5 mm ² ; PVC		
Color	Item No.	PU
violett	897-261	1



Flat cable; 5 x 10 mm ² ; PVC		
Color	Item No.	PU
light gray	897-1051	1

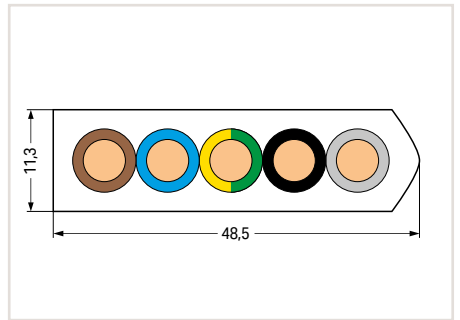
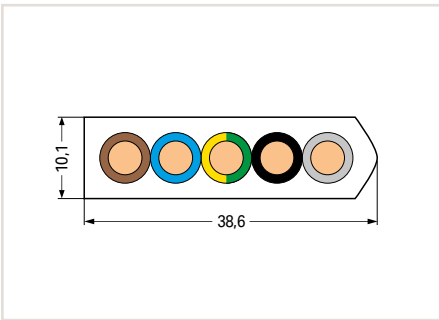
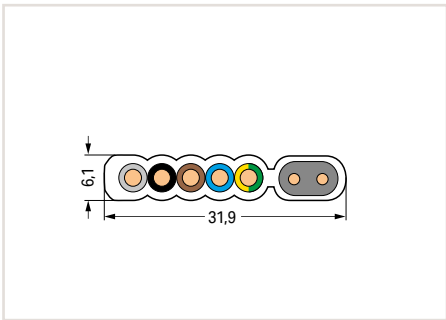


Flat cable; 5 x 16 mm ² ; PVC		
Color	Item No.	PU
light gray	897-1651	1

Flat cable; 5 x 2.5 mm ² + 2 x 1.5 mm ² ; halogen-free		
Color	Item No.	PU
violett	897-262	1

Flat cable; 5 x 10 mm ² ; halogen-free		
Color	Item No.	PU
light gray	897-1052	1

Flat cable; 5 x 16 mm ² ; halogen-free		
Color	Item No.	PU
light gray	897-1652	1



PU = Packaging Unit; SPU = Subpackaging Unit; Dimensions in mm

Operating Tools ► WINSTA®



Operating tool with a partially insulated shaft; type 1; (2.5 x 0.4) mm blade

Color	Item No.	PU
green	210-719	50

Operating tool set; with a partially insulated shaft; includes 210-719, 210-720 and 210-721

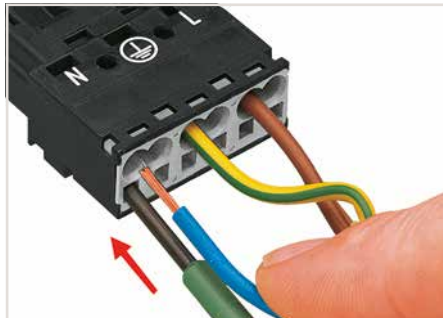
Color	Item No.	PU
green	210-722	1

Operating tool with a partially insulated shaft; type 2; (3.5 x 0.5) mm blade

Color	Item No.	PU
green	210-720	50

Operating tool with a partially insulated shaft; type 3; (5.5 x 0.8) mm blade

Color	Item No.	PU
green	210-721	25



The blade dimensions of the above-listed operating tools are ideal for operating both WINSTA® Plugs and Sockets.



Set of operating tools in a box

Operating Tools ► WINSTA®



Operating tool with a partially insulated shaft; (6.5 x 1.4) mm blade		
Color	Item No.	PU
green	210-636	50



Operating tool; partially insulated; for WINSTA® MINI connectors; 2-pole		
Color	Item No.	PU
green	890-382	50



Operating tool; partially insulated; for WINSTA® MIDI connectors; 2-pole		
Color	Item No.	PU
green	770-382	50

Operating tool; short version; (6.5 x 1.4) mm		
Color	Item No.	PU
green	210-635	30

Operating tool; partially insulated; for WINSTA® MINI connectors; 3-pole		
Color	Item No.	PU
green	890-383	50

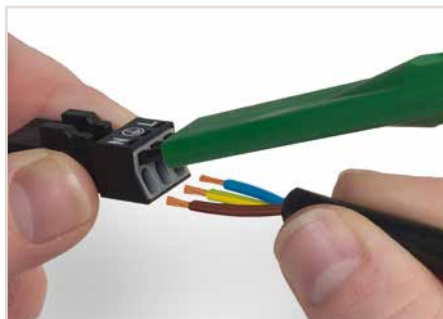
Operating tool; partially insulated; for WINSTA® MIDI connectors; 3-pole		
Color	Item No.	PU
green	770-383	50

Operating tool; partially insulated; for WINSTA® MINI connectors; 4-pole		
Color	Item No.	PU
green	890-384	50

Operating tool; partially insulated; for WINSTA® MINI connectors; 5-pole		
Color	Item No.	PU
green	890-385	50



Operating tools are ideally suited to operate IDC modules (772 Series).



To terminate fine-stranded conductors, open clamping units via operating tool (890-383) and insert stripped conductors until they hit backstop.

Stripping Tools ▶ WINSTA®



Cable knife; for Ø 8 ... 28 mm / 0.31 ... 1.10 inch; with a unique, changeable cable bracket system; including cable bracket

	Item No.	Pack. Unit
	206-1403	1

Item-Specific Accessories

Cable bracket; for Ø 4 ... 16 mm / 0.16 ... 0.63 inch

206-1411	1
----------	---



Cable bracket; for Ø 8 ... 28 mm / 0.31 ... 1.10 inch

206-1412	1
----------	---



Cable bracket; for Ø 27 ... 35 mm / 1.06 ... 1.38 inch

206-1413	1
----------	---



Cable bracket; for Ø 35 ... 50 mm / 1.38 ... 1.97 inch

206-1414	1
----------	---



Cable bracket; for Ø 50 ... 70 mm / 1.97 ... 2.75 inch

206-1415	1
----------	---



Accessories

Spare inside blade

206-1418	3
----------	---



Wire stripper "Quickstrip Vario"; 0.03 ... 16 mm² / 34 ... 6 AWG; with wire cutter

	Item No.	Pack. Unit
	206-1125	1

Accessories

Blade set; Standard; 0.03 ... 16 mm² / 34 ... 6 AWG

206-1126	1
----------	---



Blade set; V-blade; 0.14 ... 4 mm² / 24 ... 12 AWG

206-1127	1
----------	---



Blade set; Oval blade; 10 ... 16 mm² / 8 ... 6 AWG

206-1128	1
----------	---



Spare stripping stop

206-1129	1
----------	---



Spare cut protector

206-1131	1
----------	---

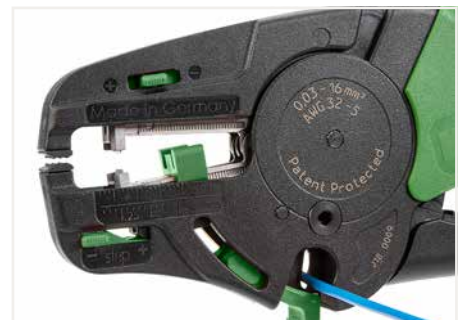


Spare clamping jaws

206-1132	1
----------	---



Partially stripping a conductor.



Cutting a conductor.

Wire Stripper:

- Automatically adjust to conductor size
- Stripping blades cause no damage to conductor strands
- Gripping pressure of jaws adjusts automatically to conductor insulation diameter
- Clamping jaws and stripping blades automatically open once the stripping process is completed – no splaying of the conductor strands
- Exact strip length may be set by sliding black setting stop
- Stripping blades can be replaced
- Self-sharpening, fully protected cutter (replaceable)
- Entire body made of glass-fiber-reinforced polyamide
- Cutting capacity of the wire cutter of fine-stranded conductors up to 16 mm² (6 AWG)

8



Stripping Pliers, Cable Cutters, Stripping Knives ▶ WINSTA®



Stripping pliers; with insulated handles; for 3 x 2.5 mm² flat cables

Color	Item No.	PU
red	897-931	1



Cable cutter; with partially insulated handles; for 5 x 6 mm² flat cables

Color	Item No.	PU
red	897-960	1



Stripping knife; for 5 x 10 mm² flat cable

Color	Item No.	PU
light gray	897-951	1



Stripping pliers; with insulated handles; for 2 x 1.5 mm², 5 x 2.5 mm², 5 x 4 mm² and 5 x 2.5 mm² + 2 x 1.5 mm² flat cables

Color	Item No.	PU
red	897-971	1



Cable cutter; with partially insulated handles; for 2 x 1.5 mm², 5 x 2.5 mm², 5 x 4 mm² and 5 x 2.5 mm² + 2 x 1.5 mm² flat cables

Color	Item No.	PU
red	897-972	1



Stripping knife; for 5 x 16 mm² flat cable

Color	Item No.	PU
light gray	897-952	1



Cut off the flat cable insulation via cable cutter.



Cut both flat cable insulation sides via stripping knife.

Cable Cutter and Wiring Aid ► WINSTA®



Cable cutter; per VDE; for copper and aluminum cables; 0.25 ... 35 mm²

Color	Item No.	PU (SPU)
green	206-118	10(1)

Wiring aid; for 5-pole connectors; distribution connectors with phase selection and IDC supply modules; suitable for solid and stranded conductors

Color	Item No.	PU (SPU)
orange	770-100	20(1)



Cutting a cable.



Strip outer insulation, insert cable into the wiring aid and arrange the single conductors according to the marking, starting with N. Cut conductor ends to the proper length.



Strip conductor ends to a length of 9 mm (see marking). Slide connector to the stop over conductor ends.

Markers and Marking Strips ▶ WINSTA®



Marker; for manual marking		
Color	Item No.	PU
white	770-450	50
green	770-450/000-001	50
yellow	770-450/000-002	50
red	770-450/000-005	50
blue	770-450/000-006	50
orange	770-450/000-012	50



Self-adhesive marking strips; on DIN A4 cards; 182 mm long; 6 mm (40 x) high; for 770 Series		
Color	Item No.	PU (SPU)
white	210-333	100(1)



Self-adhesive marking strips; on DIN A4 cards; 182 mm long; 5 mm (48 x) high; for 771 Series		
Color	Item No.	PU (SPU)
white	210-334	100(1)



Distribution connector with marked cables



Marking area:
 Strain relief; 3-pole; 28 x 6.5 mm
 Strain relief; 4-pole; 38 x 6.5 mm
 Strain relief; 5-pole; 48 x 6.5 mm
 Strain relief; 6-pole; 62 x 6.5 mm

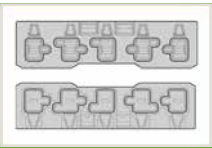
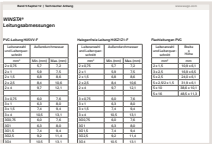






Marking area:
 Strain relief; 3-pole; 22 x 5.2 mm
 Strain relief; 4-pole; 32 x 5.2 mm
 Strain relief; 5-pole; 42 x 5.2 mm



Technical Section


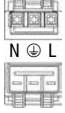



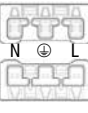
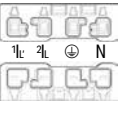
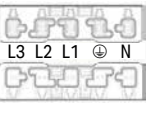

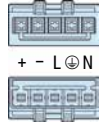
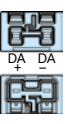
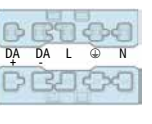

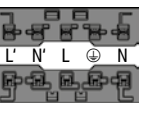






Technical Section

	Page
	408 410
	412
	414
	416
	418
	420

WINSTA®

Coding Configurations



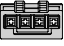













































770, 771, 772, 831, 890, 891, 893, 894 and 899 Series

Description	WINSTA® MINI				WINSTA® MIDI			
	2-pole	3-pole	4-pole	5-pole	2-pole	3-pole	4-pole	5-pole
Series	890/891	890/891	890/891	890/891	770/771	770/771	770/771	770/771
A-coding black white e.g., general applications	 N L	 N ⊕ L	 1L 2L ⊕ N	 3 2 1 ⊕ N	 N L	 N ⊕ L	 1L 2L ⊕ N	 L3 L2 L1 ⊕ N
E-coding green KNX applications								
F-coding light gray specialty coding								
I-coding blue for dimming function (e.g., DALI)	 - +			 + - L ⊕ N	 DA DA			 DA DA L ⊕ N
L-coding dark gray e.g., emergency power supply					 N' L'			 L' N' L ⊕ N
P-coding red e.g., computer applications (UPS)						 N ⊕ L		 L3 L2 L1 ⊕ N
Q-coding green Clean ground applications							 L PE2 PE1 N	 L PE3 PE2 PE1 N
R-coding orange e.g., LON® Bus						 S LON LON		
S-coding brown e.g., switching applications						 L 2 1		

Description	WINSTA® MAXI	WINSTA® RD		WINSTA® KNX		WINSTA® IDC	
	5-pole	3-pole	4-pole	2-pole	2-pole	3-pole	5-pole
Series	831	774	774	893/894	893/894	772	772
A-coding black white e.g., general applications							
E-coding green KNX applications							
F-coding light gray specialty coding							
I-coding blue for dimming function (e.g., DALI)							
L-coding dark gray e.g., emergency power supply							
P-coding red e.g., computer applications (UPS)							
Q-coding green Clean ground applications							
R-coding orange e.g., LON® Bus							
S-coding brown e.g., switching applications							

WINSTA® MINI and MIDI

B-Coding

Description	WINSTA® MINI				WINSTA® MIDI / WINSTA® IDC			
	2-pole	3-pole	4-pole	5-pole	2-pole	3-pole	4-pole	5-pole
Series	890/891	890/891	890/891	890/891	770/771	770/771/772	770/771	770/771/772
B-coding gray								
Control and general applications (110 ... 400 V mains applications)	2 1 	3 2 1 	4 3 2 1 	5 4 3 2 1 	2 1 	3 2 1 	4 3 2 1 	5 4 3 2 1 
B-coding light green								
Control and general applications (0 ... 48 V low voltages)	2 1 	3 2 1 	4 3 2 1 	5 4 3 2 1 	2 1 	3 2 1 	4 3 2 1 	5 4 3 2 1 
B-coding pink								
Control and general applications (bus applications)	2 1 	3 2 1 	4 3 2 1 	5 4 3 2 1 	2 1 	3 2 1 	4 3 2 1 	5 4 3 2 1 

9 Important note:

B-Coded components within the WINSTA® MINI and WINSTA® MIDI families are designed for specialty applications (e.g., measurement, control and regulation technology) and certified per DIN EN 61984. In addition to the gray models rated from 110 to 400 V, there is now also a variant in light green for low voltages up to 48 V, as well as a pink one for bus applications.

Each of the three versions is available in 2-, 3- or 4- and 5-pole configurations. Pole marking can be printed at the factory to suit customer requirements. B-coded products are protected against mismatching with all other coding types found in the WINSTA® system. Within B-coding, all variants can mate with each other. The variable coding system provides clear circuit identification. All variants can be clearly differentiated according to color and pole marking. They can be coded on-site or delivered with factory-installed custom coding.

WINSTA® MINI and MIDI ▶ Coding: B Pole Markings

Suffix Number	Marking				Application
	2-pole	3-pole	4-pole	5-pole	
without	1 2	1 2 3	1 2 3 4	1 2 3 4 5	General
/060-000 MINI MIDI	L N	L ⊕ N	N ⊕ ² IL ¹ IL'	N ⊕ 1 2 3 N ⊕ L1 L2 L3	Standard 230 V/400 V network application
/062-000		2 PE 1	3 PE 2 1	N PE 3 2 1	Fan Step switching
/064-000			2L ⊕ 1L L	N ⊕ L 2L 1L	230 V + switched
without	1 2	1 2 3	1 2 3 4	1 2 3 4 5	General
/071-000		U+ X/Y U-	U- S U+ X/Y		AI / AO 0 ... 10 V
/072-000			U- U+ DI AI		Presence detector incl. light sensor
/073-000		1 ⊕ 2	1 ⊕ 2 3	1 ⊕ 2 3 4	Control Signal incl. Ground
without	1 2	1 2 3	1 2 3 4	1 2 3 4 5	General
/080-000	I+ I-			N ⊕ L I- I+	SMI bus
/081-000		1 2 5	1 2 5 3		MP-Bus
/082-000	+ -	+ S -		N ⊕ L - +	Standard fieldbus applications

Distribution connectors and cable assemblies with above-mentioned pole markings are available upon request.

Item number example:

WINSTA® MIDI, plug, 4-pole, light green, with U- U+ DI AI pole marking

770-274/072-000

WINSTA®

Cable Dimensions

H05VV-F PVC Cables

Number and Size of Conductors	Outer Diameter	
	Min. (mm)	Max. (mm)
mm ²		
2 x 0.75	5.7	7.2
2 x 1	5.9	7.5
2 x 1.5	6.8	8.6
2 x 2.5	8.4	10.6
2 x 4	9.7	12.1
3 x 0.75	6.0	7.6
3 x 1	6.3	8.0
3 x 1.5	7.4	9.4
3 x 4	10.5	13.1
3G0.75	6.0	7.6
3G1	6.3	8.0
3G1.5	7.4	9.4
3G2.5	9.2	11.4
3G4	10.5	13.1
4 x 1	7.1	9.0
4 x 1.5	8.4	10.5
4G0.75	6.6	8.3
4G1	7.1	9.0
4G1.5	8.4	10.5
4G2.5	10.1	12.5
4G4	11.5	14.3
5G0.75	7.4	9.3
5G1	7.8	9.3
5G1.5	9.3	11.6
5G2.5	11.2	13.9

H05Z1Z1-F Halogen-Free Cables

Number and Size of Conductors	Outer Diameter	
	Min. (mm)	Max. (mm)
mm ²		
2 x 0.75	5.7	7.2
2 x 1	5.9	7.5
2 x 1.5	6.8	8.6
2 x 2.5	8.4	10.6
2 x 4	9.7	12.1
3 x 0.75	6.0	7.6
3 x 1	6.3	8.0
3 x 1.5	7.4	9.4
3 x 4	10.5	13.1
3G0.75	6.0	7.6
3G1	6.3	8.0
3G1.5	7.4	9.4
3G2.5	9.2	11.4
3G4	10.5	13.1
4 x 1	7.1	9.0
4 x 1.5	8.4	10.5
4G1	7.1	9.0
4G1.5	8.4	10.5
4G2.5	10.1	12.5
5G1	7.8	9.3
5G1.5	9.3	11.6
5G2.5	11.2	13.9
5G4	13.0	16.1











PVC Flat Cables








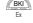
Number and Size of Conductors	Width x Height
	mm
mm ²	
2 x 1.5	10.9 x 6.1
3 x 2.5	16.9 x 6.5
5 x 2.5	24.0 x 6.1
5 x 2.5/2 x 1.5	31.9 x 6.1
5 x 10	38.6 x 10.1
5 x 16	48.5 x 11.3

Halogen-Free Flat Cables

Number and Size of Conductors	Width x Height
	mm
mm ²	
2 x 1.5	10.9 x 6.1
3 x 2.5	16.4 x 6.3
5 x 2.5	24.1 x 6.1
5 x 4	24.1 x 6.1
5 x 2.5/2 x 1.5	31.9 x 6.1
5 x 10	38.6 x 10.1
5 x 16	48.5 x 11.3

International Certification Organizations – Overview

	Abbreviation		Abbreviation	
	Underwriters Laboratories USA http://www.ul.com	UL	 Danmarks Elektriske Materielkontrol Dänemark http://www.demko.dk	DEMKO
	Underwriters Laboratories USA http://www.ul.com	UL	 CENELEC CERTIFICATION AGREEMENT Danmarks Elektriske Materielkontrol Dänemark http://www.cenelec.org	CCA Zul.-Nr. mit NL
Y	Underwriters Laboratories USA http://www.ul.com	cURus		
	Underwriters Laboratories USA http://www.ul.com	cULus	 SETI – FEMKO Sähkötarastuskeskus Elinspektionscentralen Finnland http://www.seti.fi	
	Canadian Standards Association Kanada http://www.csa.ca	CSA		
	VDE-Gutachten mit Fertigungsüberwachung Bundesrepublik Deutschland http://www.vde.de/vde/html/e/home.htm	VDE	 Sähkötarastuskeskus Elinspektionscentralen Finnland http://www.fimko.com	FIMKO
	VDE – Deutscher Verband für Elektrotechnik Bundesrepublik Deutschland http://www.vde.de		SABS South African Bureau of Standards Süd-Afrika http://www.sabs.co.za	SABS
VDE	VDE – Prüfbericht Bundesrepublik Deutschland		 RosTeST Russland http://www.rostest.ru	ROTEST
	Österreichischer Verband für Elektrotechnik Österreich http://www.ove.at	ÖVE	 Departamentul Moldovastandard Moldawien http://www.moldova.md/ro/government/oil/D_STAND/en/strcent2.htm	CSM
	Schweizerischer Elektrotechnischer Verein Schweiz http://www.sev.ch/	SEV	 Certificate of Registration Großbritannien http://www.astacertification.com	ASTA
	N.V. tot Keuring van Elektrotechnische Materialen Niederlande http://www.kema.nl	KEMA	 Rheinisch-Westfälischer Technischer Überwachungsverein e.V. Bundesrepublik Deutschland http://www.rwtuv.de	RWTÜV
CCA	CENELEC CERTIFICATION AGREEMENT N.V. tot Keuring van Elektrotechnische Materialen Niederlande http://www.cenelec.org	CCA Zul.-Nr. mit NL	 Elektrotechnický ústav projektový ústav Tschechien http://www.ezu.cz	EZU
	Norges Elektriske Materialkontroll Norwegen http://express.nemko.com	NEMKO	 Stowarzyszenie Elektryków Polskich Polen http://www.sep.com.pl	BBJ
	Svenska Elektriska Materielkontrollanstalten AB Schweden http://www.semko.com	SEMKO	 Stowarzyszenie Elektryków Polskich Polen http://www.bbj.pl	SEP

		Abbreviation			Abbreviation
CNET	Centre National d'Etudes des Télécommunications Frankreich http://www.lannion.cnet.fr	CNET		Robbanásbiztos Villamos Berendezések Ungarn http://www.bki.hu	BKI
LCIE	Laboratoire Central des Industries Electriques Frankreich http://www.lcie.fr	LCIE	CB	CB – TEST CERTIFICATE Indien http://www.ul-europe.com	CB
	Fyzikální Technický Ústav, Ostrava-Radvanice Tschechien http://www.ftzu.cz	FTZU	CB	CB – TEST CERTIFICATE China http://www.ul-europe.com	CB
Marine Approvals				UL-International Demko A/S Dänemark http://www.ul-europe.com	ENEC
	Germanischer Lloyd Bundesrepublik Deutschland http://www.gl-group.com	GL	Ex Approvals		
	Bureau Veritas Frankreich http://www.bureauveritas.fr	BV		Physikalisch Technische Bundesanstalt Bundesrepublik Deutschland Ex e II http://www.ptb.de	PTB
	Lloyd's Register of Shipping Großbritannien http://www.lloydsregister.com	LR		Underwriters Laboratories USA http://www.ul.com	cURus-EX
	NV – Det Norske Veritas Norwegen http://www.dnv.com	DNV		N.V. tot Keuring van Elektrotechnische Materialien Niederlande http://www.kemaquality.com	KEMA-EX
	Russian Maritime Register of Shipping GUS http://www.rs-head.spb.ru	RMR	GOSENERGO-Ex GOSENERGONADZOR Russland		GOSENERGO-EX
	Polski Rejestr Statków Polen http://www.prs.pl	PRS		Fyzikální Technický Ústav, Ostrava-Radvanice Tschechien http://www.ftzu.cz	FTZU
	Korean Register of Shipping Korea http://www.krs.co.kr	KR		Robbanásbiztos Villamos Berendezések Ungarn http://www.bki.hu	BKI-Ex
	American Bureau of Shipping USA http://www.eagle.org	ABS			

Electrical Engineering Laboratory

Product Safety for Our Customers

To use terminal blocks globally, they must satisfy certain standards and obtain test certificates. These requirements apply to every manufacturer. WAGO also conducts its own tests to increase standards and offer greater reliability with its products. Products undergo a full range of mechanical, electrical and climatic testing, and we'll share a few of those processes with you.

Pull-Out Test (per EN 60947-7-1, EN 60998-2-2)

During the pull-out force test, a conductor is pulled on until it is removed from the clamping unit. The design of the terminals means that extraction only occurs after the standard pull-out force has been exceeded many times over.

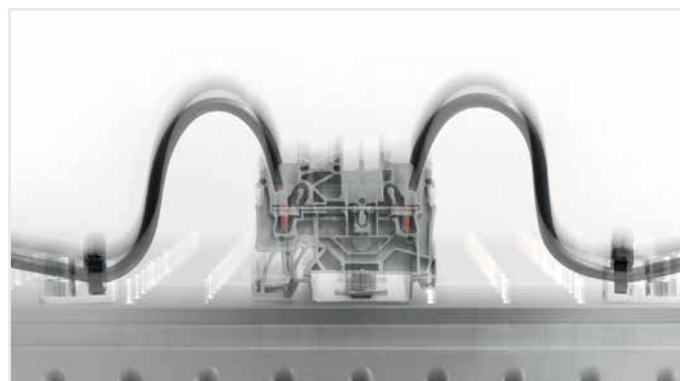
WAGO Test Lab

This means that WAGO's products can be used safely and reliably both in Europe and anywhere globally for a wide variety of applications. We heavily emphasize the importance of global acceptance during development. As a result, we can present documentation that verifies our high levels of product safety and reliability while ensuring the fulfillment and accuracy of technical data, which are the highest priorities for our customers and users worldwide. On December 22, 2009, our test lab was accredited by the German Accreditation Association (Deutsche Gesellschaft für Akkreditierung GmbH) in accordance with DIN EN ISO/IEC 17025.



Vibration Test (per IEC/EN 60068-2-6)

Depending on the application, such as railway (per EN 61373) or marine (per GL, LR, DNV), there are various testing requirements to determine if the long-term effects of vibrations degrade electrical connections. The test specimen is subjected to different loads on three axes in an electrodynamic vibration system. The amplitude, the acceleration, and particularly the frequency of the vibration vary during the test. The test values are increased many times over the standard values to meet special customer requirements.



Shock Test (per IEC/EN 60068-2-27)

The shock test is very similar to the vibration test except that, instead of continuous vibrations, single shocks are applied to the test specimen. Shock tests are usually performed, for example, at an acceleration of 20g over a period of 11 ms. Tests for special requirements often call for much higher values and are also conducted in our laboratory. Single-deck TOPJOB® S Rail-Mount Terminal Blocks, for example, pass shock tests up to 500g.



Voltage Drop Test under Bending Stress (per EN 60947-7-1, EN 60999-1)

The voltage drop test under bending stress simulates mechanical stress on the clamping unit. In everyday use, this stress can occur during installation, for example, when an electrician shoves connected conductors to the side in order to access a specific component. The quality of the clamping unit when moving a connected conductor can be validated by the constantly stable measured value of the voltage drop.





Deutsche Akkreditierungsstelle GmbH

Beliehene gemäß § 8 Absatz 1 AkkStelleG i.V.m. § 1 Absatz 1 AkkStelleGBV
 Unterzeichnerin der Multilateralen Abkommen
 von EA, ILAC und IAF zur gegenseitigen Anerkennung

Akkreditierung



Die Deutsche Akkreditierungsstelle GmbH bestätigt hiermit, dass

das Prüflaboratorium WAGO Kontakttechnik GmbH & Co. KG
Hansastraße 27, 32423 Minden

die Kompetenz nach DIN EN ISO/IEC 17025:2018 besitzt, Prüfungen in folgenden Bereichen durchzuführen:

**Elektrische und mechanische Prüfungen an Klemmen und Steckverbinder
 sowie Umweltsimulation**

Die Akkreditierungsurkunde gilt nur in Verbindung mit dem Bescheid vom 24.05.2019 mit der Akkreditierungsnummer D-PL-19704-01. Sie besteht aus diesem Deckblatt, der Rückseite des Deckblatts und der folgenden Anlage mit insgesamt 08 Seiten.

Registrierungsnummer der Urkunde: D-PL-19704-01-00

Frankfurt am Main, 24.05.2019

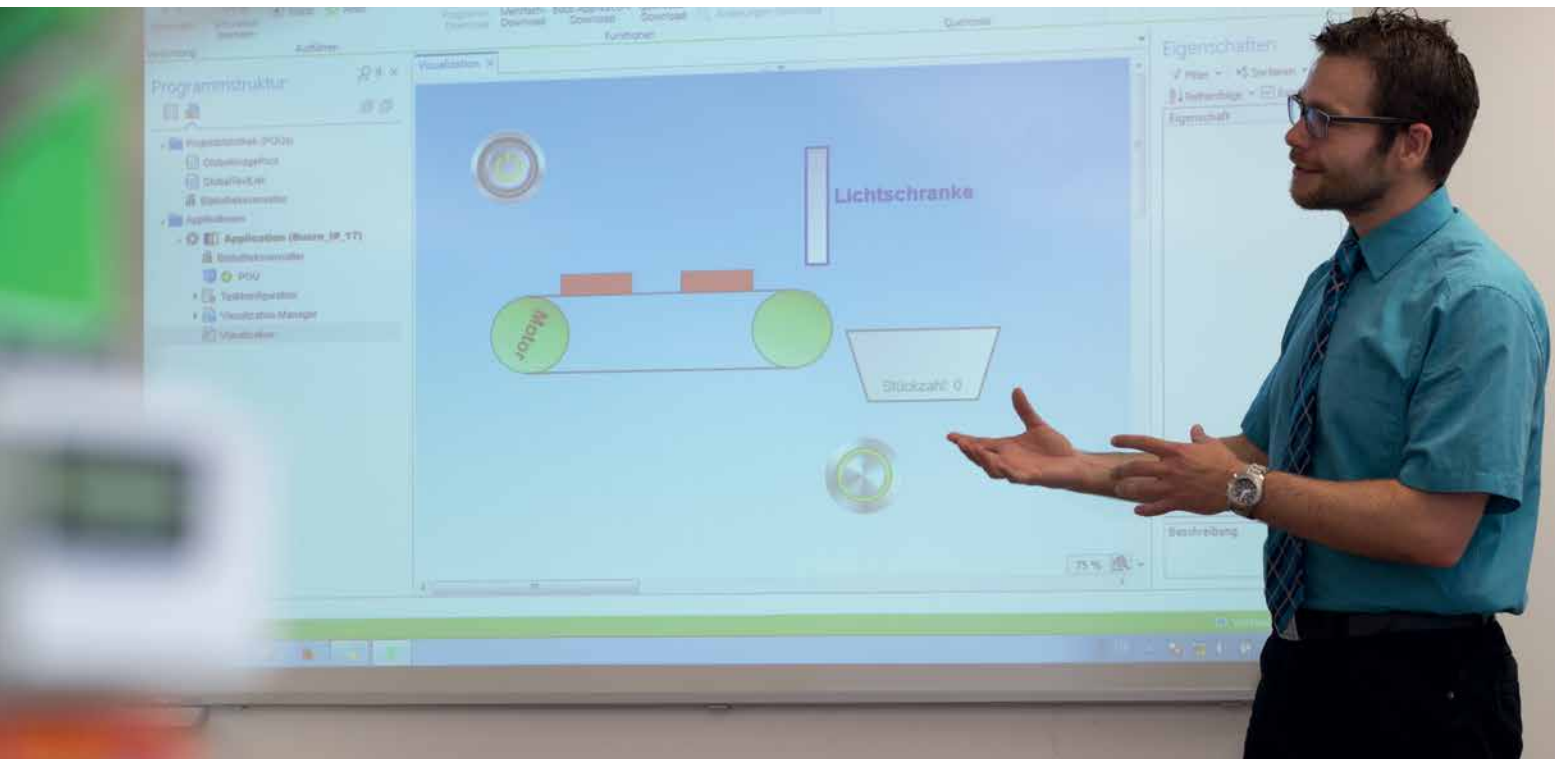
Im Auftrag Dipl.-Ing. (FH) Ralf Egner
 Abteilungsleiter

Die Urkunde samt Urkundenanlage gibt den Stand zum Zeitpunkt des Ausstellungsdatums wieder. Der jeweils aktuelle Stand des Geltungsbereiches der Akkreditierung ist der Datenbank akkreditierter Stellen der Deutschen Akkreditierungsstelle GmbH (DAkKS) zu entnehmen. <https://www.dakks.de/content/datenbank-akkreditierter-stellen>

Siehe Hinweise auf der Rückseite

WAGO Seminars

Learn Today – Benefit Tomorrow



Setting the Bar with Your Goals

Product-Related and Customer-Specific Seminars



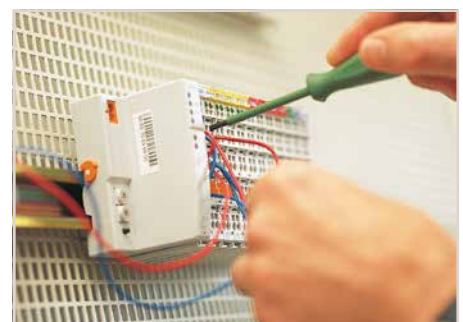
Small Groups

The small class sizes of WAGO training seminars ensures that no question goes unanswered and no one is overlooked.



Teamwork

Learning as a group is very effective. Ideas can be discussed and exchanged while experiences can be shared – all for the benefit of the participants.



Practical Topics

Experience has shown that practice makes perfect. This is why the focus of every WAGO training seminar is on practical, hands-on learning.

WAGO Seminars

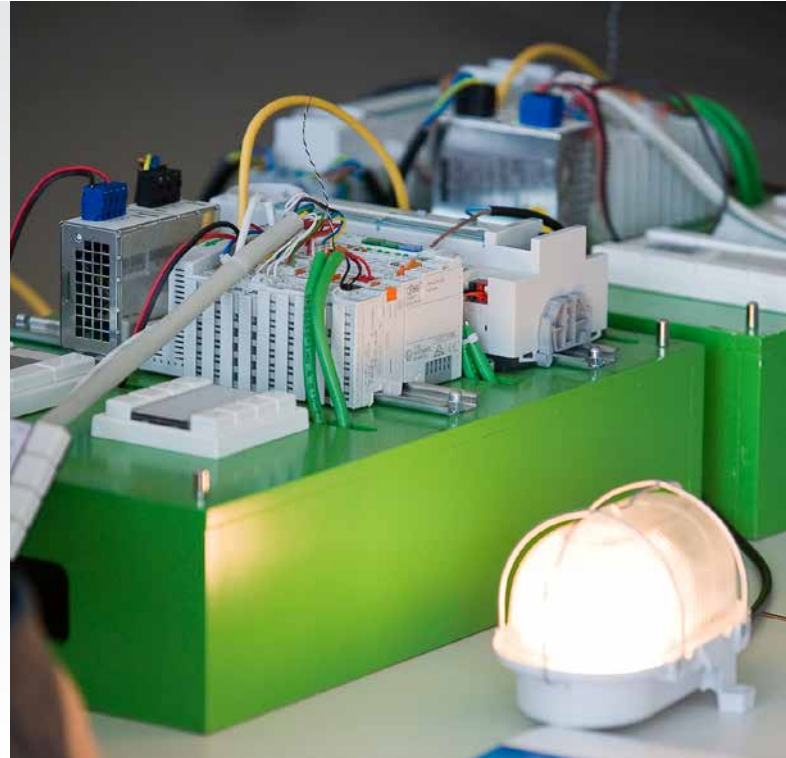
Experience the Benefits of First-Hand Knowledge and Expertise – Straight from the Source!

Our instructors are specialists who know all the ins and outs of WAGO's products. This ensures that the time devoted to each WAGO training seminar is an effective investment in expanding your own expertise.

Request your registration form by e-mail:

training@wago.com

**Contact your local
WAGO office.**



Product-Related Seminars

We regularly offer product-related seminars on the following topics:

- Building and industrial automation
- Programming of automation components
- Fieldbus systems

**Current seminars:
www.wago.com**

Customer-Specific Seminars

In addition to these "open" seminars, we also offer seminars specially tailored to your organization and its particular needs. that are specifically tailored to your organization.

Upon request, we can also conduct these seminars at your location.

**Special
corporate seminars**

Success for Generations: Environmental Protection at WAGO



At WAGO, we see environmental protection not only as compliance with environmental protection requirements.

As a growing company, our commitment to the environment drives our efforts to deliver new ideas, new concepts and new technologies along the product lifecycle. Here our employees and business partners support us.

Corporate environmental protection

Business growth also leads to higher consumption of resources. We have realized that the economic success of a company also depends on the achievement of environmental goals.

As a manufacturing company, we therefore support developments that make a contribution to environmental protection. In doing so, we always pursue individual material flows along the value chain, because we see resources, product design, production and consumption as a whole.

With our environmental management system certified in accordance with DIN EN ISO 14001, we ensure that the required national and international requirements are complied with in all areas of the company and that the concept of environmental protection is practiced in all corporate processes. In addition, WAGO is pursuing further efforts in the field of environmental protection that go far beyond the requirements of ISO

Some examples include the recycling of plastics, resource savings on product and packaging materials, the use of recycled paper throughout the company, the introduction of e-filling stations and the use of waste heat from production processes.

Product-related environmental protection

Product-related environmental protection is an important part of sustainable environmental management at WAGO. Ensuring compliance with substance bans / restrictions worldwide, such as: As REACH, RoHS has a high priority.

RoHS – Restriction of the use of certain Hazardous Substances

It is an EC directive that regulates the use of certain hazardous substances in electrical and electronic equipment. In addition to reducing the harmful effects on humans and the environment, legislation aims to improve recycling possibilities. WAGO closely monitors the development regarding RoHS and reacts promptly to specifications accordingly. For more information about RoHS please contact us via ehs-product-compliance@wago.com.

RoHS 
Compliant

Success for Generations: Environmental Protection at WAGO

REACH – Registration, Evaluation and Authorisation of Chemicals

On 01.06.2007 the regulation (EC) no. 1907/2006 (REACH regulation) came into force and since then forms a valid legal basis for all EU member states. To protect human health and the environment, this EU Chemicals Regulation aims to classify and identify all chemicals, including their effects.

The REACH Regulation creates specific obligations for each actor in the supply chain. The products manufactured by WAGO are to be designated as products in the sense of the regulation. Since products are not subject to registration, WAGO usually assumes the role of the downstream user in the supply chain. WAGO therefore has an obligation to provide information along the supply chain in accordance with REACH Article 33. WAGO is naturally aware of this obligation.

BOMcheck.net

For more information about our reporting requirements according to REACH Article 33 please visit our website "REACH SVHC Declaration" via www.wago.com/svhc

BOMcheck

European legislation such as REACH or RoHS requires the provision of information on restricted ingredients in products. This information must be shared by manufacturers and suppliers in the supply chain. WAGO meets this challenge in product-related environmental protection successfully and efficiently with BOMcheck.

BOMcheck is a centralized database for the declaration of ingredients. It is a compliance tool specifically designed to enable manufacturers and suppliers to produce their substance declarations under REACH, RoHS, and other restrictions on ingredients in an efficient and structured manner. This Internet database system increases data quality in the area of product-related environmental protection.

Further information on BOMcheck can be found at the following link: <http://www.bomcheck.net>

WEEE – Waste of Electrical and Electronic Equipment

The WEEE Directive 2012/19/EU regulates the take-back and recycling of electrical and electronic equipment. Manufacturers and importers of electrical and electronic equipment are obliged to register as a 'WEEE producer' and to comply with the reporting and take-back obligations. As a matter of course, we have taken compliance with legal WEEE requirements very seriously all the time - in our own interest as well as in the well-understood interest of our customers.

Only some of our products fall within the scope of the WEEE Directive and the Member State's implementation laws. These products are WEEE-compliant marked by us, as far as such a marking is legally required (which is not required for the B2B area Europe-wide).

For more information about WEEE please contact us via ehs-product-compliance@wago.com.

Less is more: our packaging

Recycling is the basis for choosing our packaging materials. All packaging used by WAGO can be recycled in the economic cycle without further pretreatment. In addition to the aspect of recycling, emphasis is placed on resource conservation. For this reason, our cardboard boxes consist of 80% recycled paper and are marked with the Resy symbol. The Resy symbol guarantees compliance with the Packaging Ordinance for transport packaging. The labeling is partly done by perforation. This process enables the colorless printing of WAGO cardboard boxes. This avoids unnecessary environmental pollution.